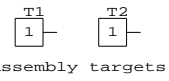
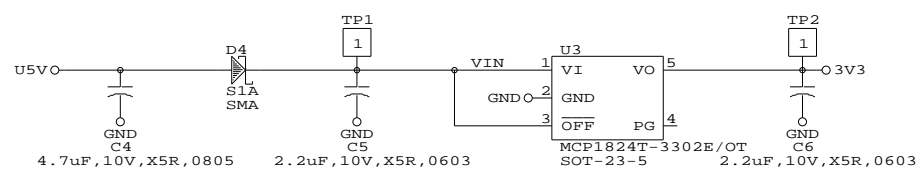
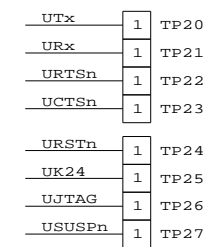
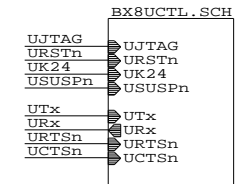


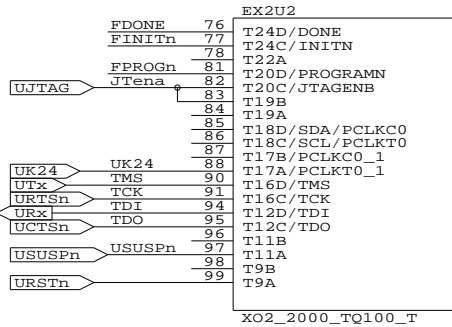
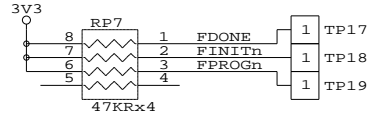
CBUS pins pull up approx 75K in input mode  
 RTS defaults to output  
 CTS defaults to input



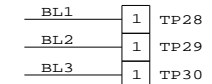
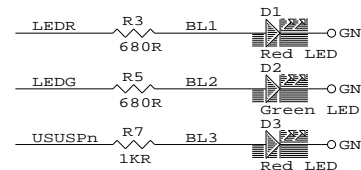
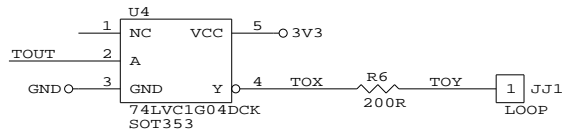
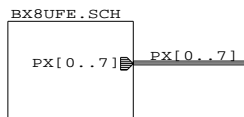
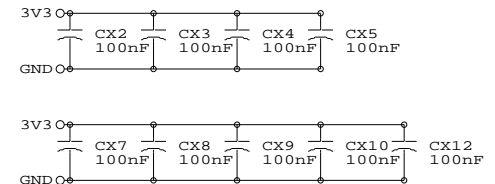
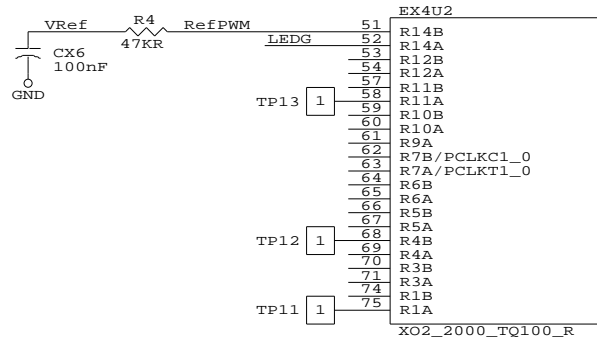
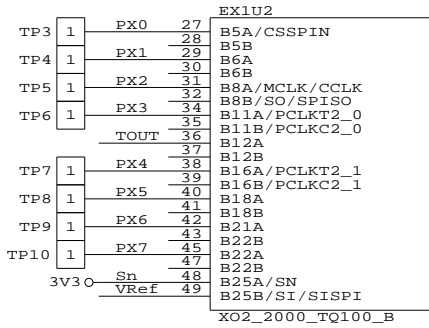
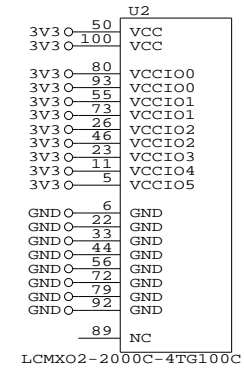
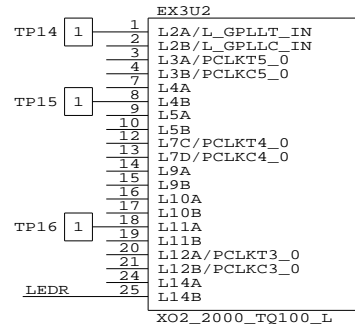
BX8u.SCH

(c) 2014 Bugblat Ltd.		
Title		
Bugblat - BX8u		
Size	Document Number	REV
B		2.0
Date: September 14, 2014		Sheet 1 of 3

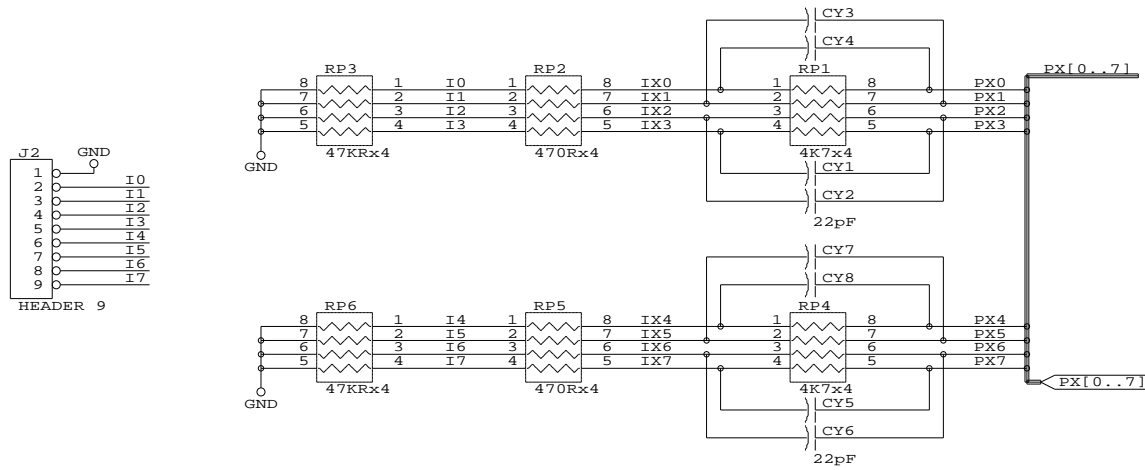
PROGn/DONE/INITn have pullups during configuration  
 JTAG pins except TDI have internal pullups



JTAGen Lo: pins are GPIO, Hi: pins are JTAG



(c) 2014 Bugblat Ltd.		
Title Bugblat - BX8u Control		
Size B	Document Number	REV 2.0
Date: September 14, 2014	Sheet 2 of	3



(c) 2014 Bugblat Ltd.		
Title		
Bugblat BX8u - Front End		
Size	Document Number	REV
B		2.0
Date: September 14, 2014		Sheet 3 of 3