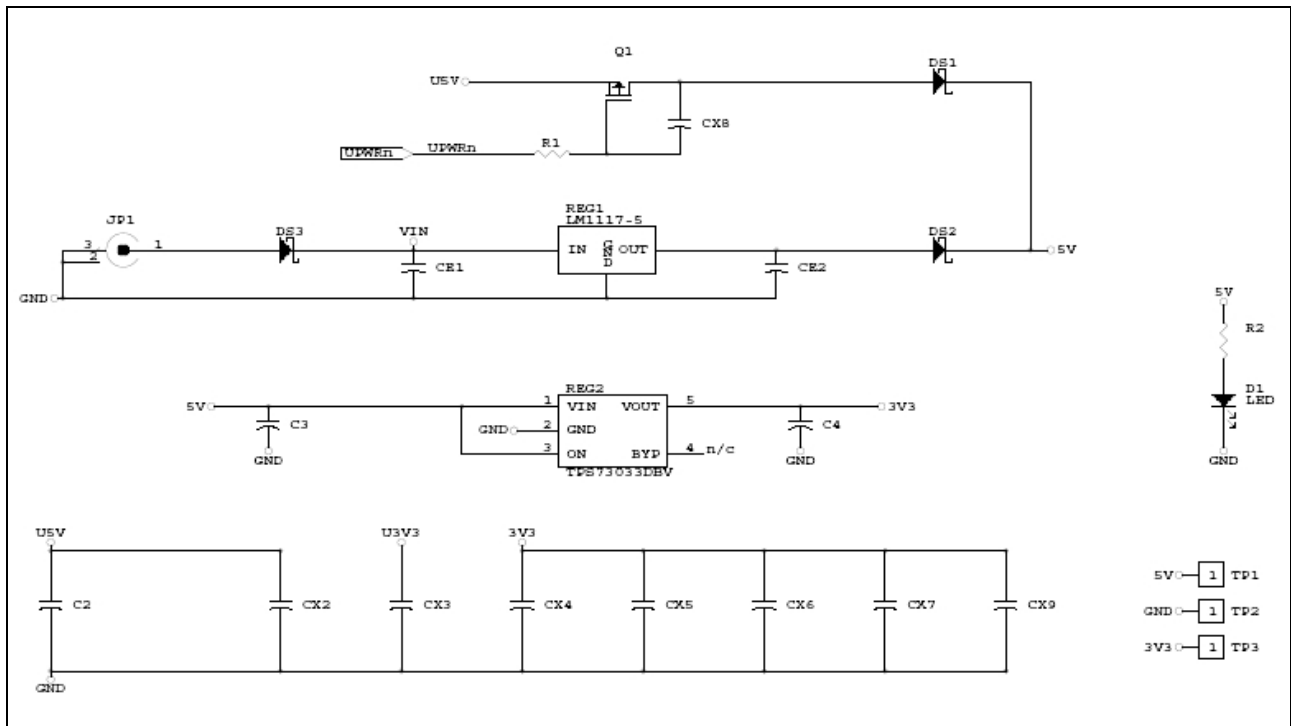
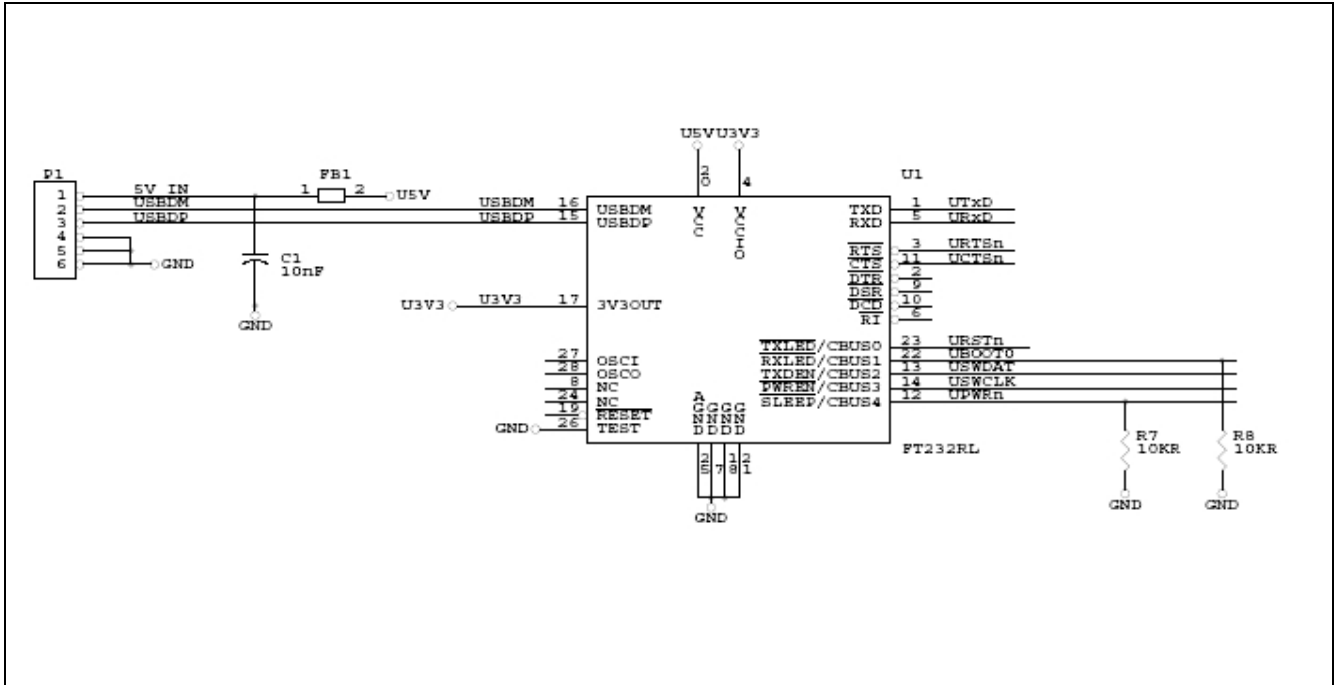


Cortino Schematic

1. Summary

This application note contains the schematic for the Buglat Cortino.



Test Points

